

TT-200 Process Viscometer

...for in-line system applications



Synchronous or variable speed drive motor

Defined shear means agreement with Brookfield Laboratory measurements at equivalent shear rates

Signal transducer housing

Continuous measurement eliminates need for "Grab" sampling and allows for prediction and constant control of final product properties

Capable of pressures up to 500 psi (34 bar) and temperatures up to 500°F (260°C)

Mounting flange

Flushing fitting optional

Flange mountable directly into tank or in pipeline tee

Concentric cylinders provide defined shear measurement 4-20mA output signal provides a variety of display and control capabilities

Rugged 300 SS construction

Can be operated at shear rates of 511 sec^{-1} for American Petroleum Institute (API) measurement needs

Shear Rates 10-1,000 sec^{-1}

Repeatable to $\pm 0.5\%$ of span

BROOKFIELD VISCOMETERS

T: 800.628.8139 or 508.946.6200 F: 508.946.6262 www.brookfieldengineering.com

What's Available?

Instrument in Nema 4 or Nema 7 (explosion proof Class I, Division 1 & 2, Group D design) Configurations

Optional Accessories

Optional 12V or 24V DC operation

Readout Indicator

Variable Speed Motor

Applications

Adhesives

Asphalt

Caulking Compounds

Ceramic Slurries

Creams, cosmetics

Epoxies

Food

Gels

Gums

Inks

Oils

Paints

Paper Coatings

Pastes

Petroleum Products

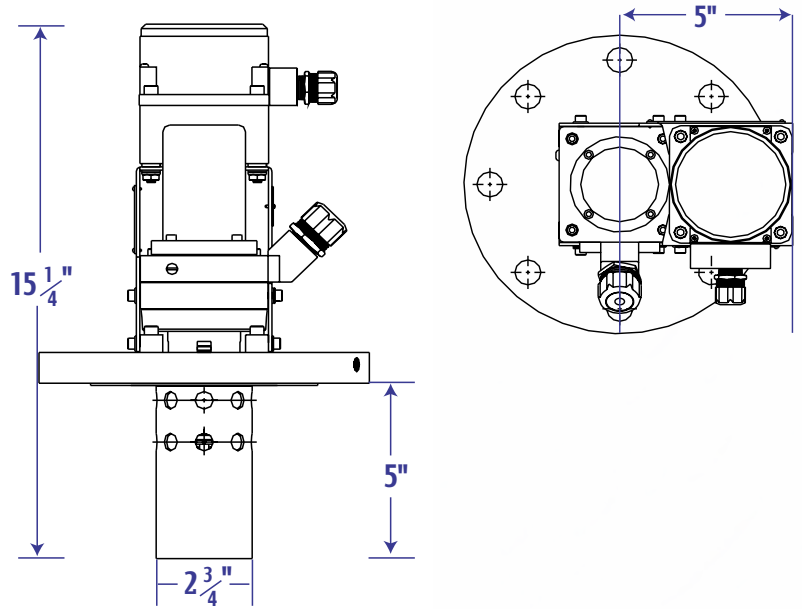
Pharmaceuticals

Polymers

Sealants

Solvents

Typical Installation



BROOKFIELD

Brookfield Engineering Laboratories, Inc.

11 Commerce Boulevard

Middleboro, MA 02346-1031 USA

T: 800.628.8139 or 508.946.6200 F: 508.946.6262

W: www.brookfieldengineering.com