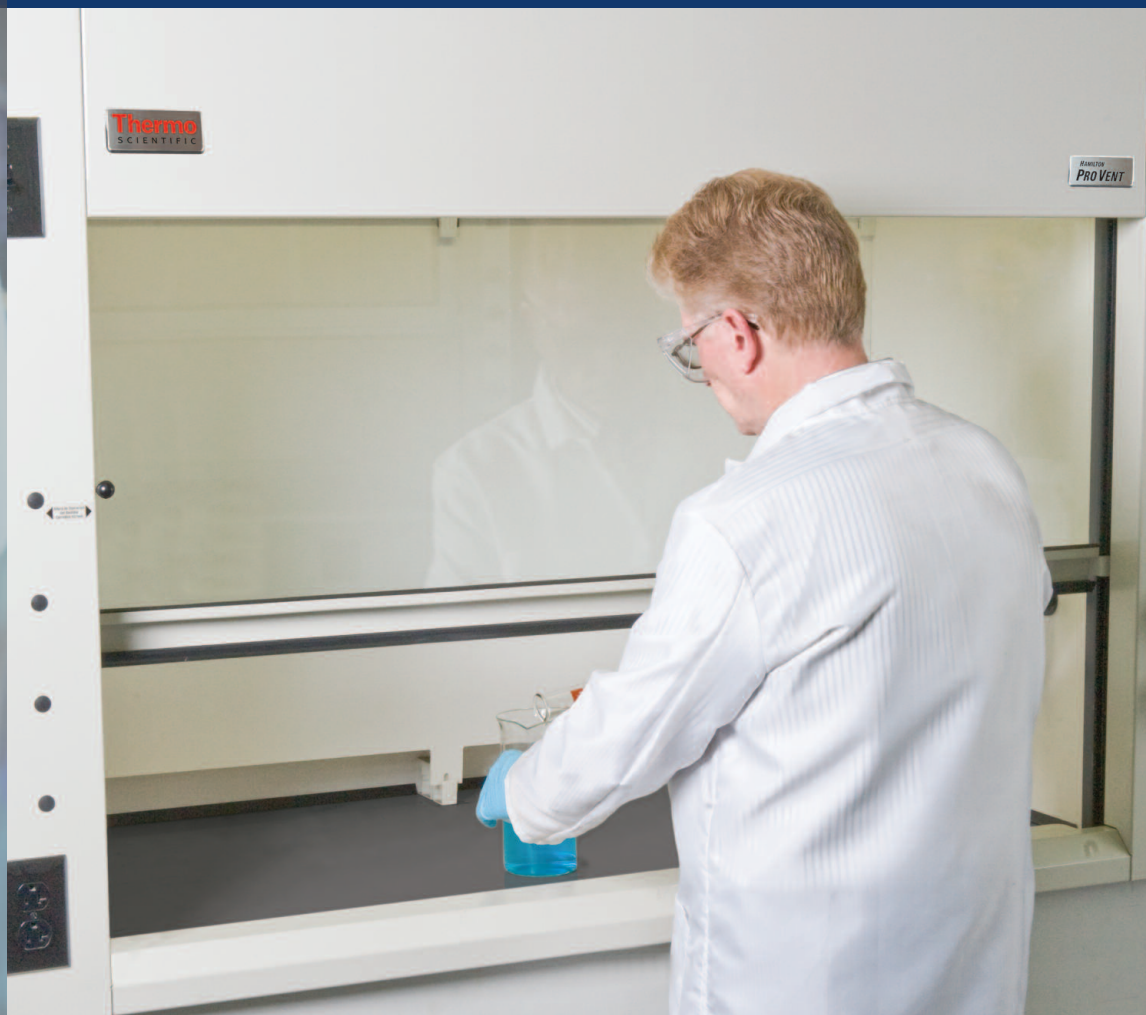
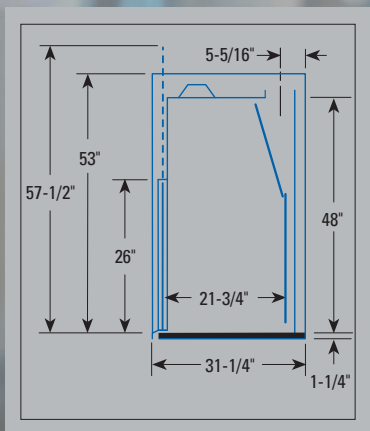


Thermo Scientific Hamilton ProVent Fume Hood



Hamilton ProVent Dimensions



The competitively priced Hamilton ProVent™ fume hood incorporates the most commonly utilized features, all with safety in mind.

- Vertical sash is full view, laminated safety glass with single counterweight.
- 18" operating opening with latch – 26" opening for set-up.
- Two tubeT8 fluorescent light fixtures, light switch, and two 120 VAC receptacles, pre-mounted.
- One vacuum and one cold water fixture, pre-mounted.
- UL 1805 classified and labeled.
- Plugged holes for future service fixture installation on both front posts.
- Polyresin or polypropylene liners available.
- Shipped assembled.



Thermo Scientific Hamilton ProVent Fume Hood

Short Specifications

The fume hood shall be UL 1805 classified and labeled.

The fume hood must include test data validating testing in compliance with ASHRAE 110 and ANSI/ASHRAE Z9.5.

Containment shall be 4.0 AM 0.05.

The fume hood liner shall have a flame spread to conform to NFPA 45 or 25 or less.

Liner and support brackets shall be non-metallic .

The sash shall be counterbalanced with one weight and cable.

A vertical latch shall be located at 18".

Latch shall be able to be overridden and will reset automatically.

Baffle shall be of same material as the liner and be nonadjustable.

Finish shall be urethane powder coat and meet submitted performance parameters.

- Fume Hood requirements that fall outside ProVent parameters should utilize the SafeAireII designs. ProVent is not intended to be modified.
- ProVent is not available pre-piped or pre-wired
- All wiring and plumbing fixtures are attached only.
- Additional remote control fixtures can be ordered and shipped loose for field installation.

Unique Exhaust Collar Design
A contoured rectangular exhaust collar provides more vertical space, reduces noise levels and conserves energy by maintaining lower static pressure.

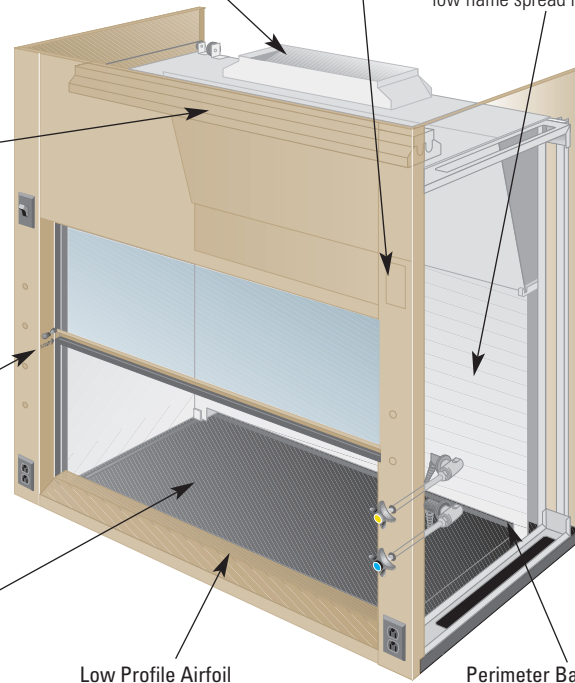
Blank Cutout
Provided for an optional blower switch or safety monitor.

Liner Materials
Meet NFPA standards and have low flame spread ratings

Exterior Fluorescent Lighting
Located safely away from harmful fumes and vapors, the fluorescent lighting system provides excellent task lighting.

Sash Safety Features
The unframed sash design has greater impact resistance. The 18" sash lock/release defines the operating position.

Work Surface
ProVent is designed to be used with 30" deep tops.



Low Profile Airfoil
The ergonomically designed airfoil improves the flow characteristics near the work surface.

Perimeter Baffle Slots
Side slots increase fume containment and eliminate dead spaces where fumes can accumulate.

Product Number	Size	100 FPM @18"	100 FPM @ Full Open	Liner Material
54L0026POBE	4 Ft.	845/.09sp	700/.15sp	Polyresin
54L0027POBE	5 Ft.	650/.09sp	920/.17sp	Polyresin
54L0028POBE	6 Ft.	785/.13sp	1130/.24sp	Polyresin
54L0029POBE	8 Ft.	1100/.09sp	1570/.21sp	Polyresin
54L0026YOBE	4 Ft.	485/.09sp	700/.15sp	Poly Laminate
54L0027YOBE	5 Ft.	650/.09sp	920/.17sp	Poly Laminate
54L0028YOBE	6 Ft.	785/.13sp	1130/.24sp	Poly Laminate
54L0029YOBE	8 Ft.	1100/.09sp	1570/.21sp	Poly Laminate



© 2008 Thermo Fisher Scientific Inc. All right reserved. All trademarks are the property of Thermo Fisher Scientific Inc. and its subsidiaries. Specifications, terms and pricing are subject to change. Not all products are available in all countries. Please consult your local sales representative for details.