



Fisher Hamilton®

SafeAire™ Ductless Laboratory Fume Hoods

Fisher Hamilton SafeAire Ductless Fume Hoods employ the latest filter construction and fume hood monitoring technology. Ductless fume hoods require no ductwork. This means lower initial cost as well as lifetime energy savings because tempered room air is not ducted to the outside as it is with ducted fume hoods.

No duct connection makes ductless fume hoods ideal where mobility or shared use is a requirement. Ductless fume hoods are ideal for temporary applications or situations where installing the duct system required for a ducted fume hood is either cost prohibitive or structurally unfeasible.

Ductless fume hoods provide protection from fumes, odors and particulates. Fisher Hamilton SafeAire Ductless Fume Hoods exceed the requirements of OSHA, Z9.5 and ASHRAE performance standards.

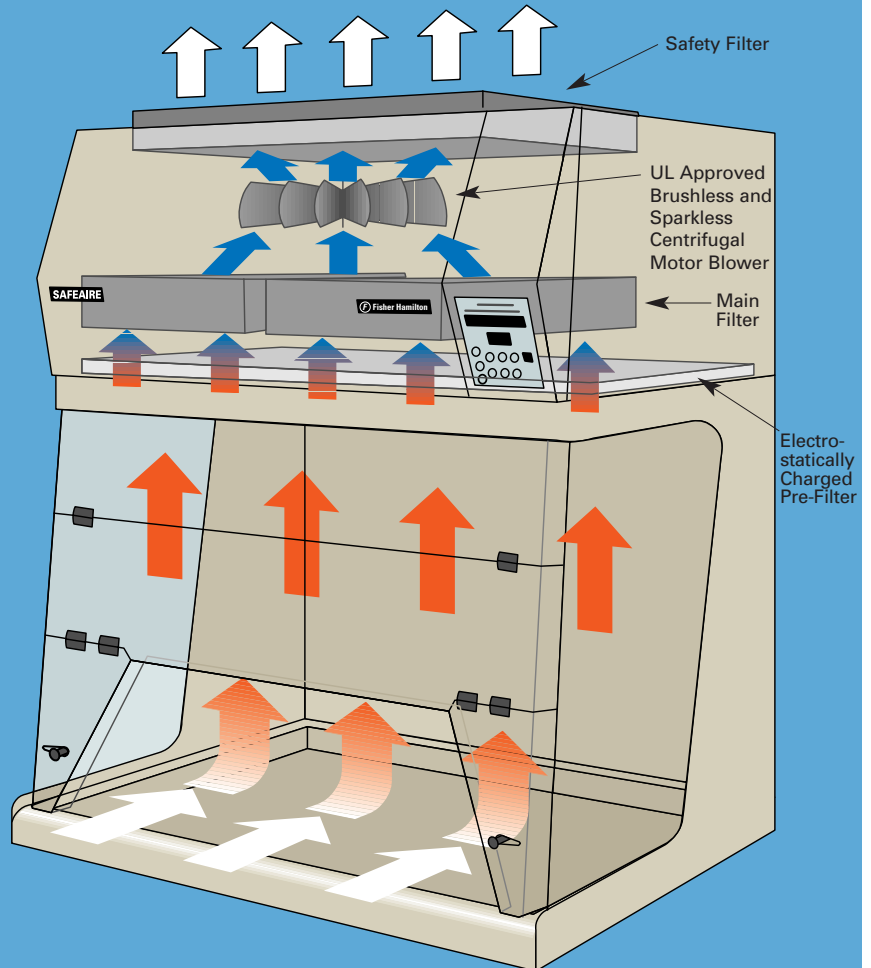
PRODUCT APPLICATIONS

- **Pharmaceutical** Weighing of particles
Bulk preparation
- **Cleanrooms** Solvent or acid
Cleaning of glassware
- **Animal Surgery** Removal of anesthetics
- **Healthcare** Endoscope sterilization
Dissections
Staining and cover slipping
DNA extractions
- **Electronic Manufacturing** Cleaning of PC boards
Soldering fumes
- **K-12** General lab experiments
- **Cosmetics** Weighing and mixing
- **Industrial** Mixing toxic cocktails
- **Museums** Painting restoration
Textile and ceramic repair
Gold and silver gilding
- **College and University** General lab experiments

FILTER TECHNOLOGY



Filter selection depends on the chemicals and powders used in the enclosure. The chart at the right will help you select the filter that best fits your application. All filters are laboratory-tested prior to shipment in our state-of-the-art laboratories. Test data is provided to gauge the life capacity of the filters. All SafeAire Ductless Fume Hoods are equipped with secondary safety filters to guarantee the purity of air re-entering the laboratory.



ADVANCED MONITORING SYSTEM

All SafeAire Ductless Fume Hoods feature a digital display showing face velocity and filter saturation levels. Sophisticated sensors determine chemical breakthrough based upon the type of

solvents used within the enclosure. Visual and audible alarms alert operators if the airflow is at an unsafe level or if the filters are approaching saturation, allowing sufficient time to replace filters.

CONTROLS AND MONITORING

- Digital display of airflow lets operators know they are working at safe conditions.
- Audible and visual warnings alarm the user if airflow reaches unsafe levels.
- System maintains the pre-set airflow when the lower sash is opened or the pre-filter becomes blocked, permitting continuous operation.
- Displays the filter type in use and the correct application for that filter.

FILTER: 2808 TYPE: AMN
AMMONIA/AMINES

- Bar graph indicates filtration level allowing user to replace filter before it reaches saturation.
- The filter saturation alarm is set to reflect the exposure limits of the solvents used.

TOXIC CLASS: B
0-200 ppm TLV

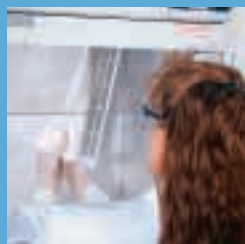
- Time display feature tracks the amount of time the filter has been in use and its maximum time allowance.



PRODUCT FEATURES



Safety Filter guarantees the purity of filtered air exhausted back into the laboratory.



Electrostatically Charged Pre-Filter extends the life of the main filter by shielding it from dust particles down to 0.5 microns.



Postless Corner Construction for clear, obstruction-free, viewing of the hood interior.



Advanced Monitoring System displays face velocity and filter saturation levels. Bar graph notifies user to replace filter before it reaches saturation.

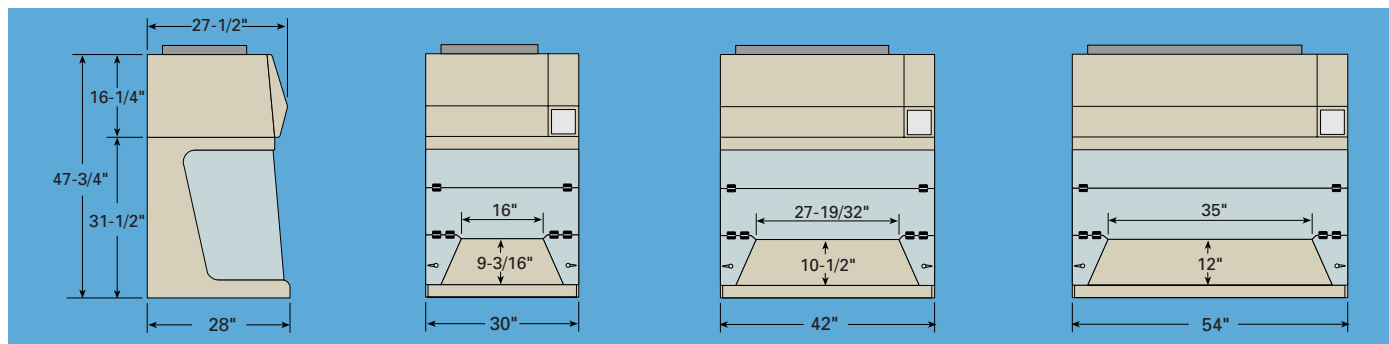


Filter Rails allow for easy installation and removal of main filter. Cam System positively seals filter in place.



Removable Plastic Spill Tray for easy cleanup.

SafeAire™ Ductless Laboratory Fume Hoods



SPECIFICATIONS		30" Wide Hood	42" Wide Hood	54" Wide Hood
Airflow	Volume/Air treated	135 CFM	270 CFM	360 CFM
	Average Face Velocity	125 LFPM	125 LFPM	125 LFPM
	With lower sash open	75 LFPM	85 LFPM	85 LFPM
Filter	Electrostatic Pre-filter	One (included) nominally rated 0.5 μ	Two (included) nominally rated 0.5 μ	Two (included) nominally rated 0.5 μ
	Main filter	One (included)	Two (included)	Two (included)
	Filter weight	28 lbs.	Two at 28 lbs.	Two at 37 lbs.
	Safety filter	One (included)	Two (included)	Two (included)
Electrical	Voltage	110Volt/60Hz, 3 Amps, 345 Watts	110Volt/60Hz, 5 Amps, 575 Watts	110Volt/60Hz, 5 Amps, 575 Watts
	Lighting	Two fluorescent @ 17 Watts	Two fluorescent @ 17 Watts	Two fluorescent @ 17 Watts
	Noise level	55 db	58 db	58 db
Weight w/o Filter		135 lbs.	166 lbs.	194 lbs.

Construction: Head section - Aluminum, Base section - Steel with 1/4" acrylic, Back panel - 1/4" acrylic, Paint - powder coated, Spill tray - fiberglass.

FILTER TYPE	Application	Fume Hood Width	Fume Hood Prod. No.	Main Filter (Replacement)		Safety Filter (Replacement)	
				Prod. No.	Qty. Req'd.	Prod. No.	Qty. Req'd.
Organic Vapors , including Alcohols, Acetone, Xylene, Methylene Chloride, etc.		30"	54L15000	54L44100	1	54L42100	1
		42"	54L15100	54L44100	2	54L42200	2
		54"	54L15200	54L44200	2	54L42300	2
Formaldehyde and Glutaraldehyde	Hospitals	30"	54L15300	54L44300	1	54L42400	1
		42"	54L15400	54L44300	2	54L42500	2
		54"	54L15500	54L44400	2	54L42600	2
Acids , including Hydrochloric, Sulfuric, Nitric, etc.		30"	54L15600	54L44500	1	54L42700	1
		42"	54L15700	54L44500	2	54L42800	2
		54"	54L15800	54L44600	2	54L42900	2
Particles and Powders	Pharmaceutical Laboratories	30"	54L15900	54L44700	1	54L43000	1
		42"	54L16000	54L44700	2	54L43100	2
		54"	54L16100	54L44800	2	54L43200	2
Multi S: Multilayered filter protects against organics, sulfurs, acids, ammonias	General	30"	54L16200	54L44900	1	54L42100	1
	Curriculum	42"	54L16300	54L44900	2	54L42200	2
	School Lab	54"	54L16400	54L45000	2	54L42300	2

	Fume Hood Width	Qty. Req'd. Per Hood	Pre-Filter Pack Prod. No.
Pre-Filters (Replacement package of six) Electrostatically-charged pre-filter protects the main filter from dust and dirt	30"	1	54L45100
	42"	2	54L45100
	54"	2	54L45200

	Fume Hood Width	Table Frame Prod. No.	Table Top Prod. No.	Table Dimensions		
				Width	Depth	Height
Mobile Table: Adjustable-height steel framed table on casters. Color - Chameleon. Table top is 1" thick Antique White Wilson Art® high pressure plastic laminate with PVC edge banding.	30"	AEX93600	630H836F	36"	29-3/4"	28" - 37"
	42"	AEX94800	630H848F	48"	29-3/4"	28" - 37"
	54"	AEX96000	630H860F	60"	29-3/4"	28" - 37"



Fisher Hamilton

Fisher Hamilton Inc.
1316 18th Street
Two Rivers, WI 54241
Tel: 920-793-1121
Fax: 920-793-3084
www.fisherhamilton.com